

# DATASHEET

## 346PB10TCMBT-VW

10 Amp Timeclock with BLE and ControlLink

### Application

The 10A timeclock is a 3 wire, 10AX maximum rated 24hr/7 day scheduler device with BLE (Bluetooth Low Energy) connectivity, suitable for controlling a huge range of electrical products. With up to 16 individual on/off schedules, the timeclock is a powerful device that also includes a configurable manual override timer operated by the pushbutton. Schedules can be configured differently on weekdays and weekends and include the ability to configure for seasonal or monthly operation. The tactile pushbutton has been designed to match other pushbutton devices in the range with respect to look and feel. The Wisier Room smartphone App provides a user friendly method for configuration as well as an option for local in-room control. There is also an installer re-store feature that can revert the timeclock back to the setting set by the installer should the user manage to incorrectly configure the timeclock

The timeclock includes ControlLink technology that allows for multi-way triggering of the override timer over conventional mains wiring. A fan run-on timer feature allows for the switched output from a light switch to trigger the unit through the ControlLink terminal to provide an exhaust fan run-on timer. The timeclock can also be configured to operate as a Hot Water Service (HWS) booster, taking the feedback from the thermostat of the HWS. The switching contact boasts a 15 A resistive load rating for such applications.

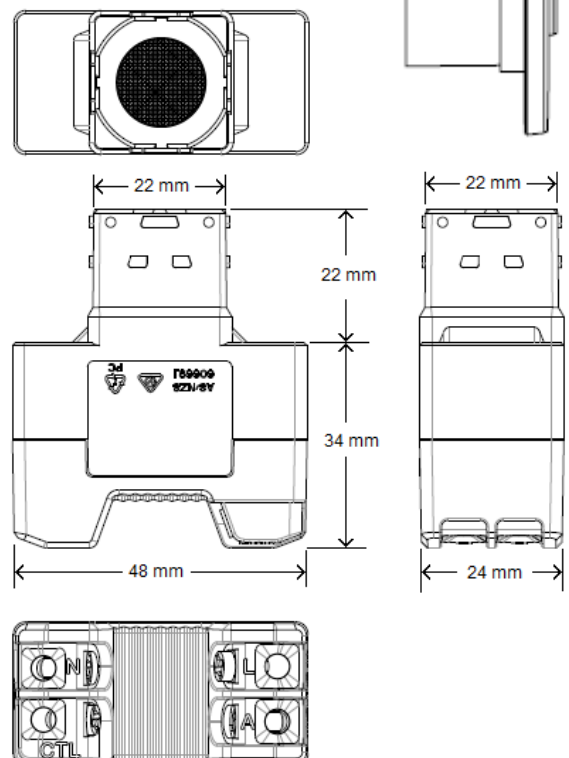
Momentary ControlLink switch (Cat No 356PBSS-VW) can be connected so that low cost multi-way triggering can be achieved without the need for expensive secondary switch mechanisms. ControlLink will also operate with conventional electro-mechanical switches.

### Features

- Configurable LED Indicator
- 16 on/off 24hr / 7day schedules
- Manual override pushbutton timer function
- Configure using Wisier Room App available for both Apple and Android smart devices
- ControlLink for multi-way triggering
- Sunrise, sunset function with automatic seasonal tracking (using geo-location technology in smart phone)
- On board real time clock, (automatically aligns to daylight savings)
- 3 wire design, 10AX/15A rated 240V latching relay contact
- Fan run-on timer feature
- Hot water Booster function
- Installer restore feature (within Wisier Room App)
- Supplied with Vivid White (VW) push button assembly
- Additional colour options through optional parts packs



Depth from  
plate  
70mm



Life Is On



by Schneider Electric

## Specifications

Operating Voltage:	220-240V ac 50Hz
Maximum Load:	10 AX fluoro, 15A Resistive, 10A inductive (0.8pf), motor – M40 (6A @0.5pf)
Minimum Load:	0 W (no minimum load)
Switching Technique:	Latching Relay (switched active output)
Operating Temperature:	0°-45° C
Storage Temperature:	0°-60° C
Ambient Operating & Storage Humidity:	5% ~ 90% Relative Humidity, Non-Condensing
Connection Terminals:	Screw type, square head & combination head (Suits: 3x1.5mm <sup>2</sup> cable, Torque: 0.8Nm)
Schedules:	16 on/off schedules with day and month selection
Over-ride time delay:	Via App: 1 second to 24 hours in 1 second increments Via Push button menu: 30s, 1m, 5m, 15m, 30m, 1h, 2h & 4hr
LED Indicator:	Warm white, configurable modes
Multi-way Control:	Switching through Controllink using conventional wiring
Plate Compatibility:	Suitable only for Iconic Series Plates.
App Details:	PDL Wiser Room (available free from App store and Google play)
Compatible Smart devices:	All devices with Android v4.4 or IOS9 or above.
Wireless Technology	Bluetooth Low Energy (BLE) , 2.4GHz. Point to Point only. Range: Approximately 10m indoors.
Installer Restore:	Configured within Wiser Room app, (Default Password – 1234)
Real time clock retention:	12 hours minimum. (in event of a power failure)

## Derating Details

Mechanisms per Plate	Maximum load per mechanism
1	10 A
2	7.5 A
3	6.5 A

## Ordering details

Catalogue No.	Description
346PB10TCMBT -VW	10 A Timeclock with manual override and Controllink (Note – Supplied with VW Push button assembly)
Accessories	
300PBC-VW	PB Mech Colour Cap- Vivid White (pk 5)
300PBC-WY	PB Mech Colour Cap- Warm Grey (pk 5)
300PBC-CY	PB Mech Colour Cap- Cool Grey (pk 5)
300PBC-AN	PB Mech Colour Cap- Anthracite (pk 5)



300PBC-VW

### PDL New Zealand Ltd

38 Business Parade South, East Tamaki, Auckland 2013

Phone: + 64 (9) 829 0490 Fax: + 64 (9) 829 0491

Customer Care: 0800 652 999 Email: sales@nz.schneider-electric.com

www.pdl.co.nz

Life Is On



by Schneider Electric

As standards, specifications and designs change from time to time, always as for confirmation of the information given in this publication.