

DATASHEET

346PB6TCMBT-VW

6 Amp Timeclock with BLE and ControlLink

Application

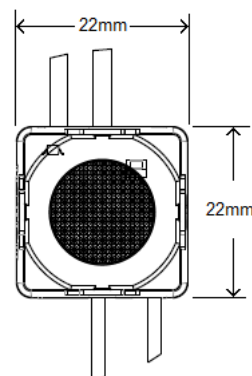
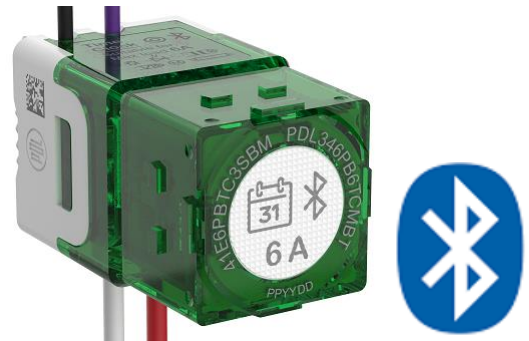
The 6A timeclock is a 3 wire, 6AX maximum rated 24hr/7 day scheduler device with BLE(Bluetooth Low Energy) connectivity, suitable for controlling a huge range of electrical products. With up to 16 individual on/off schedules, the timeclock is a powerful device in a small mechanism package that also includes a configurable manual override timer operated by the pushbutton. Schedules can be configured differently on weekdays and weekends and includes the ability to automatically track with seasonal changes. The tactile pushbutton has been designed to match other pushbutton devices in the range with respect to look and feel. The Wiser Room smartphone App provides a user friendly method for configuration as well as an option for local in-room control. There is also an installer re-store feature that can revert the timeclock back to the setting set by the installer should the user manage to incorrectly configure the timeclock

The timeclock includes ControlLink technology that allows for multi-way triggering of the override timer over conventional mains wiring. A fan run-on timer feature allows for the switched output from a light switch to trigger the unit through the ControlLink terminal to provide an exhaust fan run-on timer.

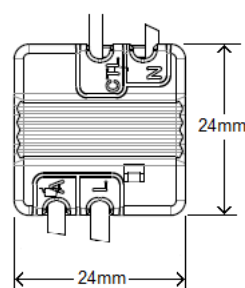
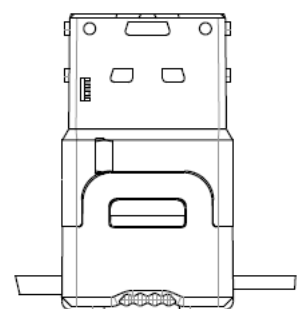
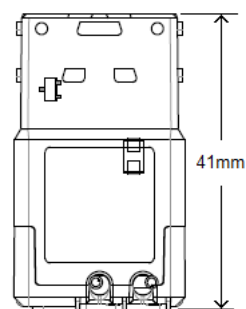
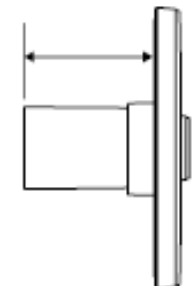
The momentary ControlLink switch (Cat No 356PBSS-VW) can be connected so that low cost multi-way triggering can be achieved without the need for expensive secondary switch mechanisms. ControlLink will also operate with conventional electro-mechanical switches.

Features

- Configurable LED Indicator
- 16 on/off 24hr / 7day schedules
- Manual override pushbutton timer function
- Configure using Wiser Room App available for both Apple and Android smart devices
- ControlLink for multi-way triggering
- Sunrise, sunset function with automatic seasonal tracking (using geo-location technology in smart phone)
- On board real time clock, (automatically aligns to daylight savings)
- 3 wire design, 6AX rated 240V latching relay contact
- Fan run-on timer feature
- Installer restore feature (within Wiser Room App)
- Comes with Vivid White (VW) push button assembly
- Additional colour options through optional parts packs



Allow a minimum 39mm depth in the wallbox / wall cavity to recess mechanisms and wiring.



Life Is On



by Schneider Electric

Specifications

| | |
|---------------------------------------|---|
| Operating Voltage: | 220-240V ac 50Hz |
| Maximum Load: | 6 AX, 6A inductive (0.8pf), motor – M30 (5A@0.5pf) |
| Minimum Load: | 0 W (no minimum load) |
| Switching Technique: | Latching Relay (switched active output) |
| Operating Temperature: | 0°-45° C |
| Storage Temperature: | 0°-60° C |
| Ambient Operating & Storage Humidity: | 5% ~ 90% Relative Humidity, Non-Condensing |
| Connection: | Flying Leads (Active, Neutral, Load, ControlLink), Length: 105mm |
| Schedules: | 16 on/off schedules with day and month selection |
| Over-ride time delay: | Via App: 1 second to 24 hours in 1 second increments Via Push button menu: 30s, 1m, 5m, 15m, 30m, 1h, 2h & 4hr |
| LED Indicator: | Warm white, configurable modes |
| Multi-way Control: | Switching through ControlLink using conventional wiring |
| Plate Compatibility: | Suitable only for Iconic Series Plates. |
| App Details: | PDL Wiser Room (available free from App store and Google play) |
| Compatible Smart devices: | All devices with Android v4.4 or IOS9 or above. |
| Wireless Technology | Bluetooth Low Energy (BLE) , 2.4GHz. , Point to point only Range: Approximately 10m indoors. |
| Installer Restore: | Configured within Wiser Room app, (Default Password – 1234) |
| Real time clock retention: | 12 hours minimum. (in event of a power failure) |

Derating Details

| Mechanisms per Plate | Maximum load per mechanism |
|----------------------|----------------------------|
| 1 | 6 A |
| 2 | 4.5 A |
| 3 | 4 A |
| 4 | 3 A |
| 5 | 2 A |
| 6 | 1.5 A |

Ordering details

| Catalogue No. | Description |
|-----------------|--|
| 346PB6TCMBT -VW | 6 A Timeclock with manual override and ControlLink (Note – Supplied with VW Push button assembly) |
| Accessories | |
| 300PBC-VW | PB Mech Colour Cap- Vivid White (pk 5) |
| 300PBC-WY | PB Mech Colour Cap- Warm Grey (pk 5) |
| 300PBC-CY | PB Mech Colour Cap- Cool Grey (pk 5) |
| 300PBC-AN | PB Mech Colour Cap- Anthracite (pk 5) |



300PBC-VW

PDL New Zealand Ltd

38 Business Parade South, East Tamaki, Auckland 2013

Phone: + 64 (9) 829 0490

Fax: + 64 (9) 829 0491

Customer Care: 0800 652 999 Email: sales@nz.schneider-electric.com

www.pdl.co.nz

Life Is On



by Schneider Electric

As standards, specifications and designs change from time to time, always as for confirmation of the information given in this publication.